

24AD595C190 LS-33-T 33-Ton (2002)
General Assembly

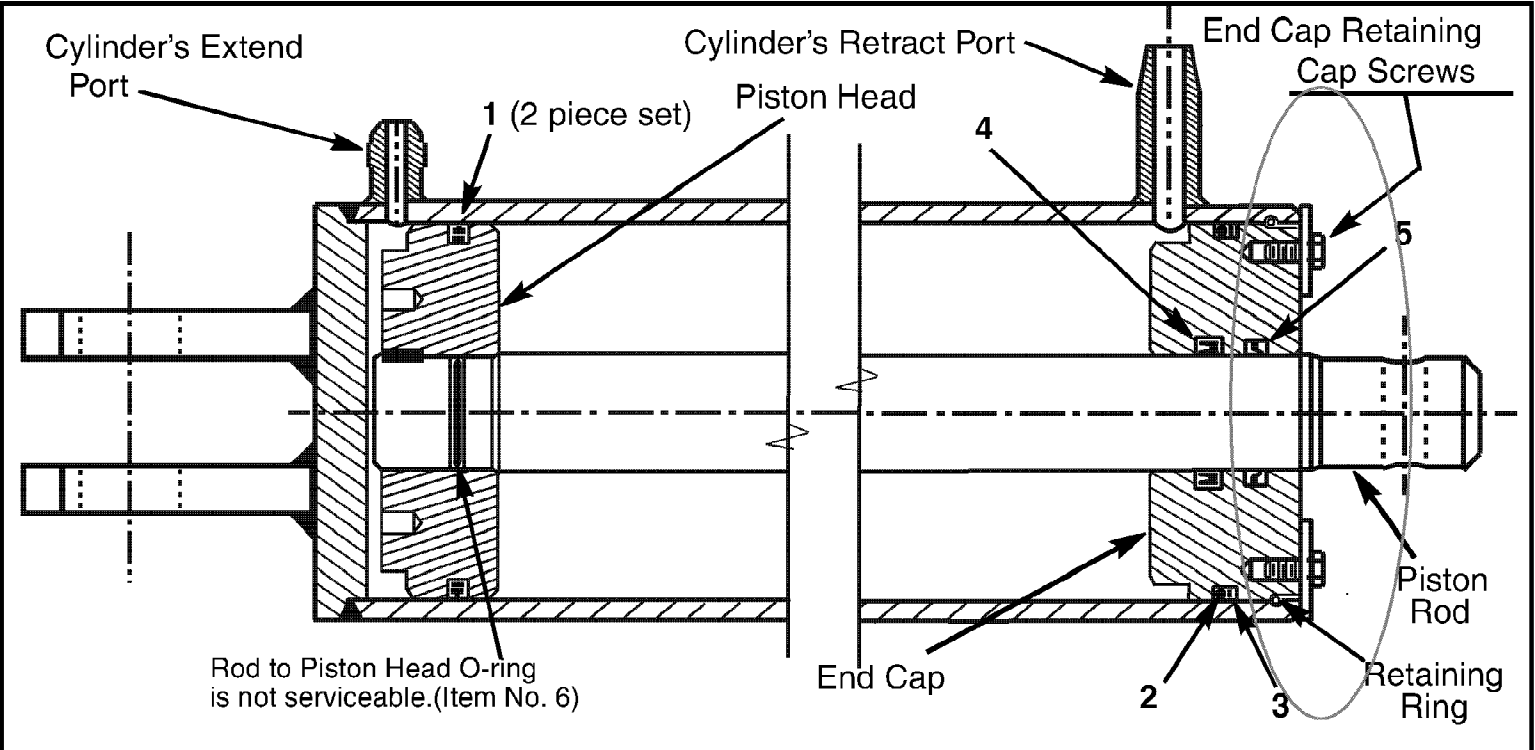
Page 2 of 7

Ref #	Part Number	Qty	S/P/F	Description
1	781-0686	1	S	Log Tray Bracket
2	712-0431	1	S	Flanged Lock Nut 3/8-16
3	781-0682	1	S	Log Tray
4	710-3097	1		Carriage Bolt 3/8-16 x 1.0
5	719-0550	1	S	Wedge Assembly
6	712-0239	1	S	Lock Nut 1/2-20
7	710-1018	1	/P	Hex Cap Screw 1/2-20 x 2.75
8	710-0515	1		Hex Cap Screw 1/2-20 x 3.50
9	781-0351	1	/P	Adjustable Gib
10	712-0711	1	/P	Hex Jam Nut 3/8-24
11	710-0459A	1	/P	Hex Cap Screw 3/8-24 x 1.5
12	781-0790	1	S	Back Plate
13	736-0921	1	S	Lock Washer 1/2
14	736-0300	1	S	Flat Washer .406 ID x .875 OD
15	710-0654A	1	/P	Hex Washer Screw 3/8-16 x 1.
16	781-1048	1	S	Dislodger
20	681-0129	1	S	Beam Assembly
21	714-0211	1		Cotter Pin
22	718-0313	1	S	Hydraulic Cylinder replace with 718-0313A
22	753-0564	1		Kit Seal 5.0" for Fisher Hydraulics cylinder 718-0313 Fisher cylinders use a snap ring retainer system to secure the piston assembly into the cylinder.
22	753-0691	1		Kit Seal 5.0" for Best Metals cylinder 718-0313 BEST cylinders will have "BM" or "BEST" cast into the end cap.
22	718-0313A	1	S	Hydraulic Cylinder replaces 718-0313
22	953-05609	1	/P	Kit Seal 5.0" for XINGHUI cylinder 718-0313A See Service Kit 753-05609
22	953-05610	1	/P	Kit Seal 5.0" for ENERGY cylinder 718-0313A See Service Kit 753-05610
23	711-1135	1		Clevis Pin
24	727-0471	1		Hydraulic Tube
25	727-0443	1		Return Hose 3/4" ID x 44" Lg.
26	781-0526	1		Hose Guard
27	726-0132	1	/P	Hose Clamp 5/8"
28	737-0153	1		Return Elbow
29	737-0192	1	/P	90 Degree Solid Male Adapter
30	737-0235	1		3/4" Hose Adapter
31	718-0481	1	S	Control Valve
32	737-0316	1	/P	Filter Housing
33	723-0405	1	/P	Oil Filter
34	727-0502	1		High Pressure Hydraulic Hose
35	781-0538	1	S	Hose Guard
36	714-0470	1	S	Cotter Pin 1/8"
37	738-0805	1		Hinge Pin 1/2 x 4.8" Lg.
38	726-0214	1	/P	Push Cap
39	732-0583	1		Compression Spring 4"
40	736-0116	1	S	Flat Washer .635 ID x .93 OD
41	781-0690	1		Locking Rod
42	737-0348	1	S	Locking Rod

24AD595C190 LS-33-T 33-Ton (2002)
General Assembly

Page 3 of 7

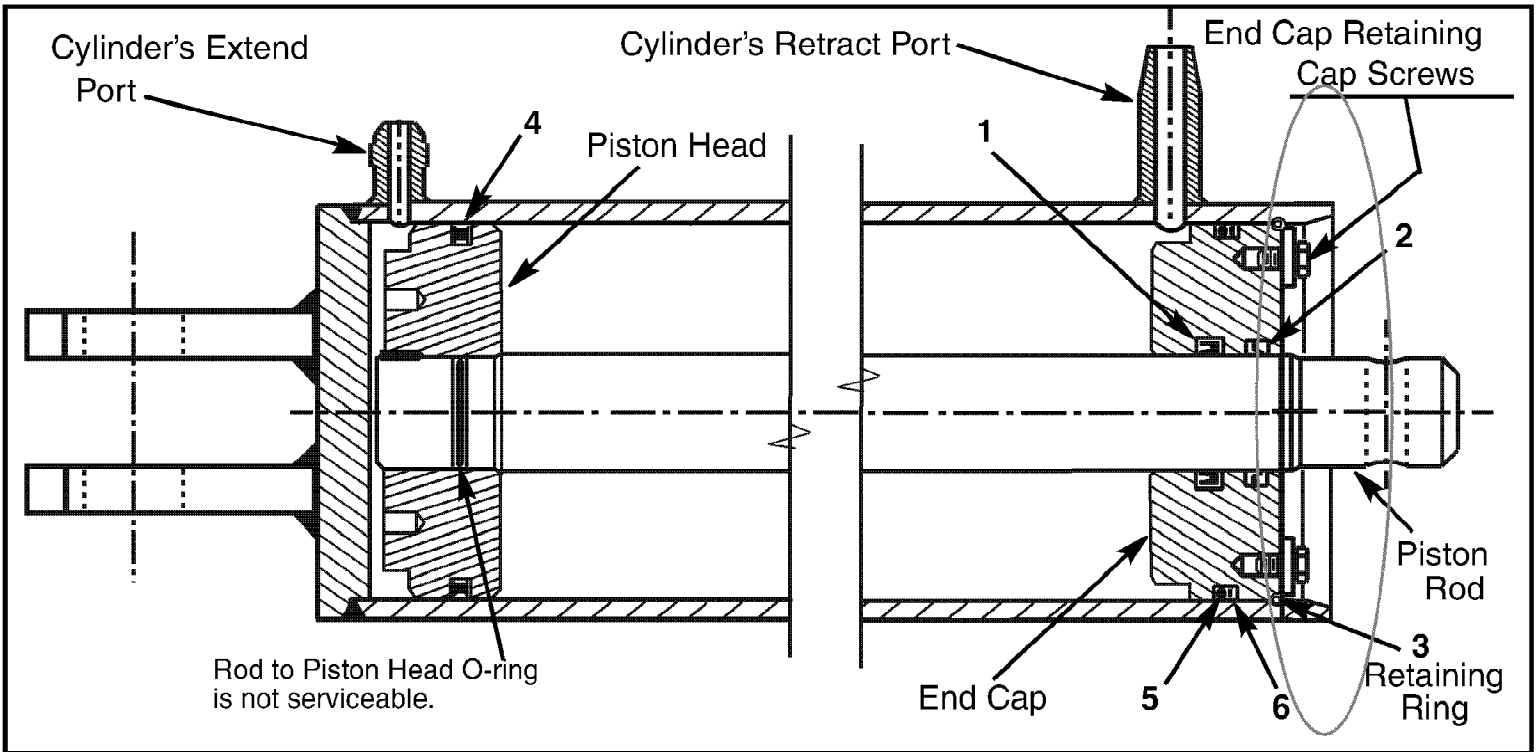
Ref #	Part Number	Qty	S/P/F	Description
43	681-0138	1		Fender Assembly
44	736-0159	1	S	Washer 5/16
45	710-0157	1	/P	Hex Cap Screw 5/16-24 x .75
46	681-0178	1	S	Frame Assembly 7.0 Gal
47	736-0119	1	S	Lock Washer 5/16
48	712-0123	1	/P	Hex Nut 5/16-24
49	710-0409	1	/P	Hex Cap Screw 5/16-24 x 1.75
50	710-1253	1		Hex Cap Screw 5/16-24 x 5.25
51	781-0098A	1	S	Front Support Bracket Coupling
53	736-0119	1	S	Lock Washer 5/16
54	710-0237	1	/P	Hex Cap Screw 5/16-24 x .625
56	719-0315	1		Shoulder Spacer
57	714-0114	1	S	Key
58	712-0123	1	/P	Hex Screw 5/16
59	718-0685	1	S	Flex Coupling
62	781-0097	1	S	Rear Coupling Support Bracket
63	737-0264	1		Adapter 7/8-14
64	718-0684	1	S	Pump (16 gmp)
65	726-0174	1		Hose Clamp
66	727-0451	1		Suction Hose
67	710-0521	1	/P	Hex Cap Screw 3/8-16 x 3.0
68	712-0798	1	/P	Hex Nut 3/8-16
69	736-0169	1	S	Lock Washer 3/8
70	781-0680A	1	/P	Tube
72	710-0411	1	/P	Hex Cap Screw 3/8-16 x 4.0
73	681-0110	1	S	Support Beam Assembly
74	681-0006	1	S	Adjustable Jack Stand
75	710-0944	1	/P	Hex Cap Screw 3/8-16 x 4.25
76	736-0262	1	/P	Flat Washer .385 ID x .870 OD
77	713-0433	1	S	Chain
78	750-0497	1		Spacer
79	727-0311	1		Hitch Coupler
80	712-0375	1	/P	Lock Nut 3/8-16
81	712-3008	1	S	Hex Jam Nut 3/8-16
86	721-0168	1	S	Bearing Seal
87	741-0987	1	S	Bearing Cone
88	634-0187	1	/P	Wheel Assembly
89	634-0181	1		Rim Assembly
90	736-0351	1	S	Flat Washer .76" ID x 1.5" OD
91	712-0359	1	/P	Slotted Nut 3/4-16
92	714-0162	1	/P	Cotter Pin 5/32" x 1-1/4" Lg.
93	734-0873	1		Hub Cap
94	681-0074	1	S	Light Bracket Assembly LH
95	625-0009	1		Tail Light Assembly
96	712-0292	1	/P	Nut 1/4-20
97	781-0624	1	S	Light Bracket Assembly RH
98	710-0157	1	/P	Hex Cap Screw 5/16-24 x .75
99	712-0123	1	/P	Hex Nut 5/16-24



24AD595C190 LS-33-T 33-Ton (2002)
Service Kit 753-05609

Page 5 of 7

Ref #	Part Number	Qty	S/P/F	Description
1	N/A	1		Piston Seal: 2 piece set (White outer ring w/ black flat under ring) Not Available Separately
2	N/A	1		O-ring (Large, Black) Not Available Separately
3	N/A	1		Backup Ring (Black) Not Available Separately
4	N/A	1		Rod-Guide U-Cup (Dark Blue) Not Available Separately
5	N/A	1		Scraper: Rod (Black) Not Available Separately
6	N/A	1		O-ring (Small, Black) NOT USED Not Available Separately
7	N/A	1		INSTRUCTION SHEET Not Available Separately



24AD595C190 LS-33-T 33-Ton (2002)
Service Kit 753-05610

Page 7 of 7

Ref #	Part Number	Qty	S/P/F	Description
1	N/A	1		Zurcon U-Cup RU3 (Blue) Not Available Separately
2	N/A	1		Scraper DA17 (Black) Not Available Separately
3	N/A	1		Retaining-Ring (Metal) Not Available Separately
4	N/A	1		Zurcon Wynseal (Blue) Not Available Separately
5	N/A	1		O-Ring (Black) Not Available Separately
6	N/A	1		Back-up Ring (White) Not Available Separately
7	N/A	1		INSTRUCTION SHEET Not Available Separately